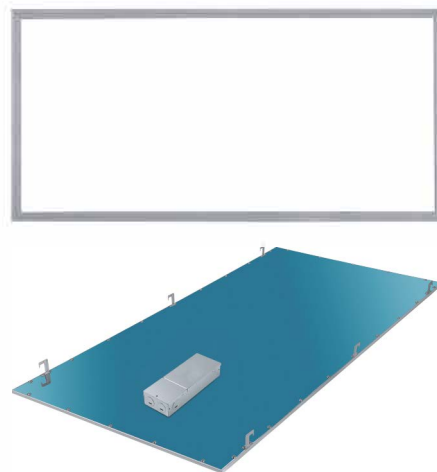
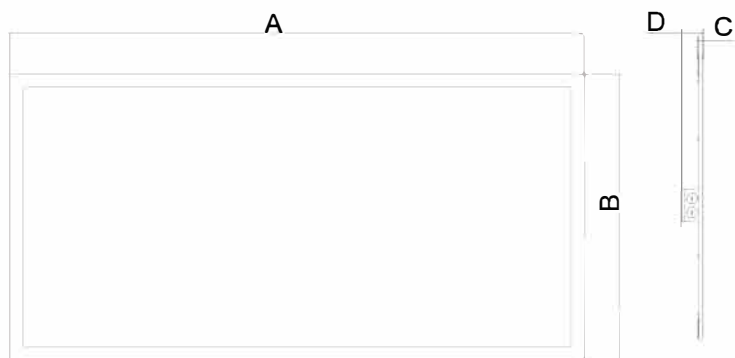


SPECIFICATION

LED PANEL LIGHT



Maximum overall	A	B	C	D
ZS-PL2*2	603mm	603mm	11mm	46mm
ZS-PL1*4	1213mm	300mm	11mm	46mm
ZS-PL2*4	1213mm	603mm	11mm	46mm



FEATURES

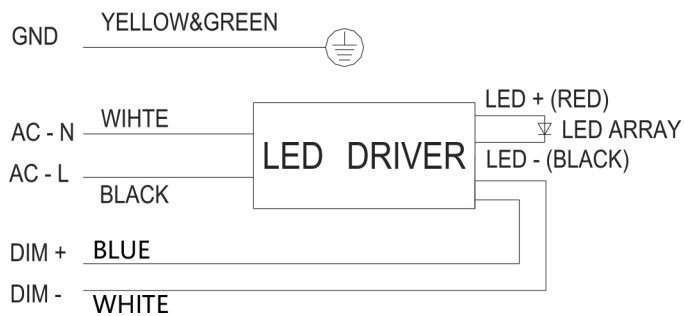
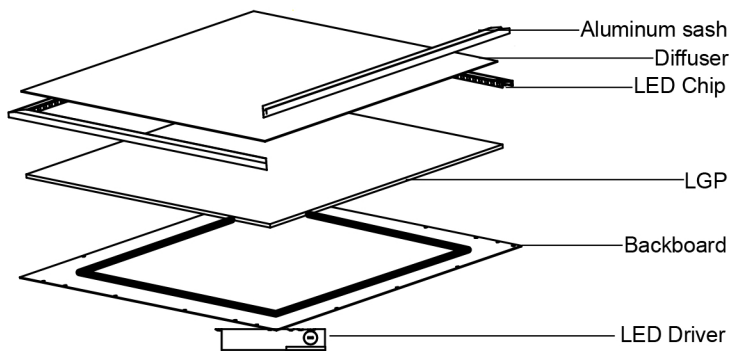
Input voltage:	AC100-277V
Operating frequency:	50/60Hz
Power factor:	≥ 0.90
Ambient temperature range:	-20°C ~+45°C
Color Temp:	3000K~5000K
Dimmable:	0-10V
THD:	<20%
IP Rating:	IP40
CRI:	>80Ra
Beam angle:	120°

- Luminous Flux: ≥125lm/w
- Housing material: 6063-T5
- 5 years' warranty

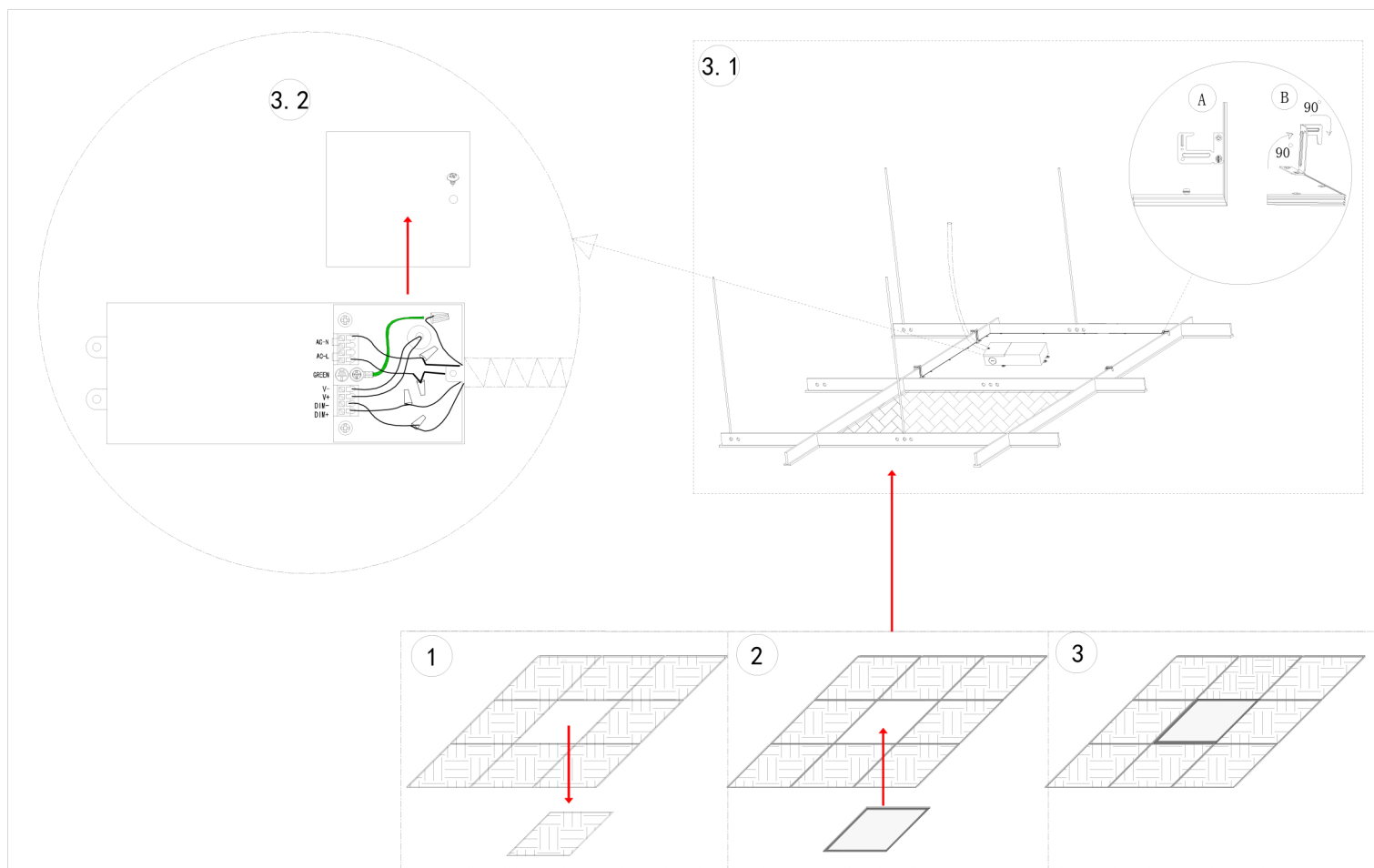
PARAMETER

Length	Product code	Certification	CRI	Description		Lumens 3000-5000K	Packing/carton	G.W./carton
				Wattage	Dimmable			
2*2FT	ZS-PL2*2(30W)	ETL/cETLus,DLC4.3,	>80	30W	0-10V dimming	4300 LM	640*155*640mm 4 pieces 1*40HQ Loading=4320pcs	16.5kg
2*4FT	ZS-PL2*4(50W)	ETL/cETLus,DLC4.3,	>80	50W	0-10V dimming	6500 LM	1250*155*640mm 4 pieces 1*40HQ Loading=2160pcs	26kg

MOUNTING GUIDES



INSTALLATION INSTRUCTION



Step1: Turn off power before installation, and take one ceiling off. Bend hang buckle by 90°, making it vertical to the rear cover of panel light (Figure 3.1A). Bend hang buckle top part by 90° (Figure 3.1B).

Step2: Place the panel light into the T-bar. Ensure the lights are attached to the ceiling. (Figure 3.1)

Step3: Open the cover of junction box, connect the AC wire correctly (L=black, N=white). the ground connect to the green wire. (Figure 3.2)

Warning:

Ensure the power supply has been cut off before connecting the wire, and all wiring and installation of this product are required to be operated by professionals.